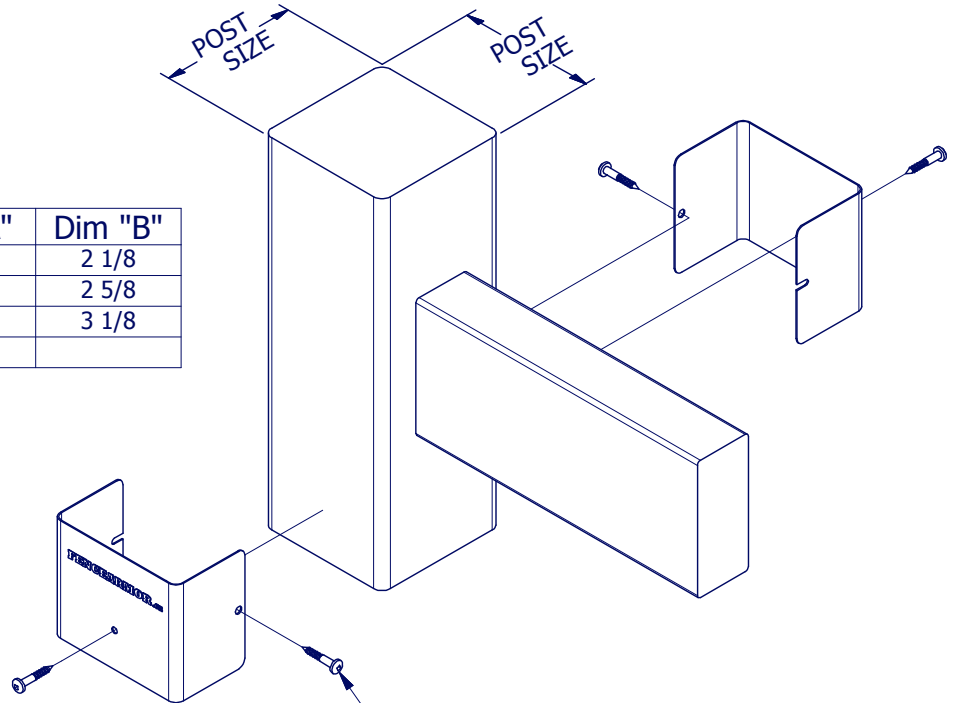


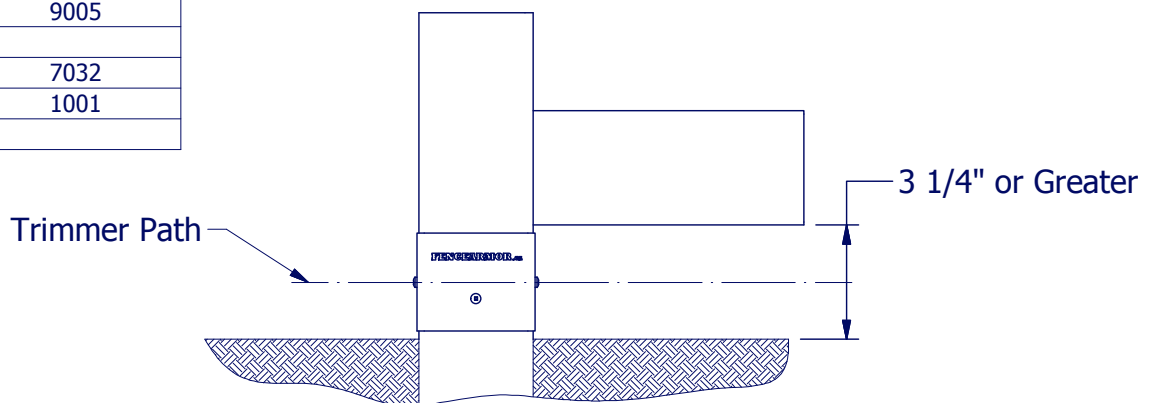
FENCE ARMOR™

484 Plains Rd. East Unit 10, Burlington, ON, L7T 2E1, Canada
 8083 Hwy 70 East, St. Germain WI 54558, USA
 Toll Free: (888) 289-5617
 Direct Al: (905) 399-0877
 Direct Jeff: (715) 370-3550

Product	Post Size	Dim "A"	Dim "B"
FA4x4VGS	4 x 4	4 1/8	2 1/8
FA5x5VGS	5 x 5	5 1/8	2 5/8
FA6x6VGS	6 x 6	6 1/8	3 1/8
Custom*			



Color	RAL No.
Galvanized Steel	
White	9016
Black	9005
Redwood	
Sand	7032
Beige	1001
Custom*	



Notes:

1. 22 Gauge G90 Galvanized Steel
2. Durable Powder Coated Finish
3. #8 x 1 1/2" Self-Tapping Pan Head S.S. Screws Recommended
4. Exterior Grade Two-Sided Tape can be used as an alternate to Screws
5. Stackable for Below Grade Protection or Elevation Deviation
6. Align Middle of Fence Armor with Trimmer Path
7. *Custom Colors and Sizes Available Based on Quantity

FENCE ARMOR™

Title: Fence Armor Full
 for Vinyl Fences

Dwg No: VF20081

Date: Feb. 2016